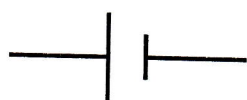
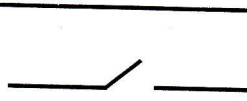
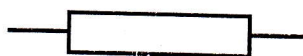


SCIENCE PLE 2018 EXTRACT

<u>PUPIL'S COMPLETE INDEX NUMBER</u>				
Province/city	District	Sector	School	Pupil
<div style="border: 1px solid black; width: 40px; height: 30px; margin: 0 auto;"></div>	<div style="border: 1px solid black; width: 40px; height: 30px; margin: 0 auto;"></div>	<div style="border: 1px solid black; width: 40px; height: 30px; margin: 0 auto;"></div>	<div style="border: 1px solid black; width: 40px; height: 30px; margin: 0 auto;"></div>	<div style="border: 1px solid black; width: 40px; height: 30px; margin: 0 auto;"></div>
<u>PUPIL'S FULL NAME</u>				
Sur name	:			
Other names	:			

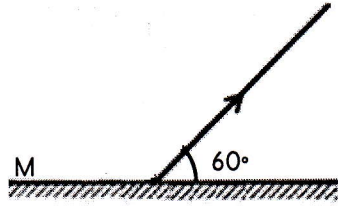
SECTION A: Attempt all questions. (50 marks)

1. State any one form of;
 - a. energy _____
 - b. renewable energy source _____
2. Complete these sentences
 - a. The area of a magnet where the magnetic force is strongest is called the magnetic _____
 - b. An instrument which uses magnets to show direction is known as _____
3. Draw a line from each circuit symbol and link it to the electrical component it represents.

Circuit symbol	Electrical component
	resistor
	dry cell
	switch

4. a. Use the term refraction of light or reflection of light to answer the following question.
 The phenomenon by which the incident light falling on a surface and it is then sent back into the same medium is known as _____

b. The diagram below, not drawn to scale shows a reflected ray of light on a plane mirror M.



- i. Use this diagram to draw the normal line to the mirror passing through the point of incidence.
- ii. Find the value of the angle of incidence.

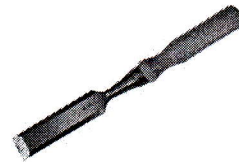
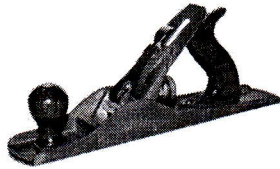
iii. Draw an incident ray on the same diagram.

5. Name any:

a. agricultural tool

b. danger of the misuse of agricultural tools.

6. a. Name the carpentry tools in (a) and (b) below:



b. What is the "spirit level tool" used for?

7. Write any two masonry tools.

i. _____

ii. _____

8. Mention any two materials used to make toys.

i. _____

ii. _____

9. a. The person who repairs machines is called:

b. The person who uses a tool known as evil is called:

10. Use True or False to answer the following:

a. A screw driver isn't an example of a simple machine

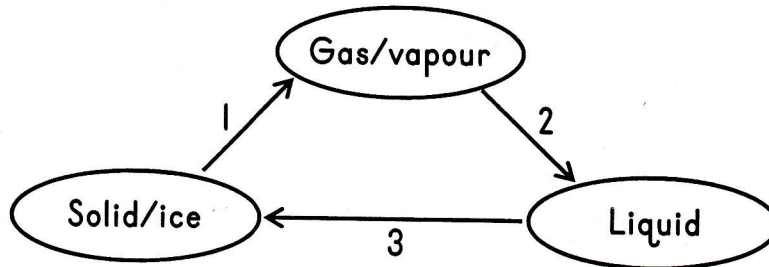
b. For a lever to be first class lever, the fulcrum needs to be between the load and the effort.

c. A simple machine is a tool that makes the work easier.

11. Calculate the relative density of each substance and complete the table given below.

Material	Density kg/m ³	Relative density
water	1000	
gold	19320	

12. Name the different phenomena of water changes shown in the diagram below.



1. _____
2. _____
3. _____

13. The physical parts of a computer are called

14. A small picture that represents a folder, program or other things is called

15. If you _____ a document from the journal, it will be completely lost.

16. The activity you are working on is automatically saved and can be accessed from the _____

17. Name three ways in which you can start using the write activity

- i. _____
- ii. _____
- iii. _____

18. What do the following terms refer to as used in scratch?

- i. sprite _____
- ii. animation _____

19. List any two popular programming languages for kids.

- i. _____
- ii. _____

20. What is the use of paint activity?

21. List four functions of scratch sound editor.

- i. _____
- ii. _____
- iii. _____
- iv. _____

22. What is a search engine?

23. Explain the uses of the following commands.

- i. Back _____
- ii. Left _____

SECTION B: ANSWER ALL QUESTIONS (50 MARKS)

24. a. The characteristics for Movement is also called:

b. Give four main reasons why animals move.

- i. _____
- ii. _____
- iii. _____
- iv. _____

25. Using an arrow (\rightarrow), match each animal in A with the correct group to which it belongs in B.

A (animal)

Chameleon

Toad

Ostrich

Bat

B (group)

mammal

reptile

bird

amphibian

26. List down two similarities between plants and animals.

- i. _____
- ii. _____

27. a. Look at the crossword puzzle below and find at least four parts of a flowering plant and list them.

S	O	V	U	L	E
O	H	R	S	Q	P
V	C	O	P	R	E
A	T	O	O	D	T
R	P	T	A	T	A
Y	S	B	Z	C	L

- i. _____
- ii. _____
- iii. _____

b. What would happen to plants if there were no insects?

28. A farmer cuts down a forest to grow potatoes.

a. Do you agree with his action?

b. If yes give reasons to support your answer

If No, support your answer

29. Match using an arrow, the items in Column A against those in Column B.

Column A

- Sepal
- Petal
- Stamen
- Carpel

Column B

- female reproductive part.
- protects the inner part of the flower.
- attracts insects
- male reproductive parts.
- receive pollen grains.

30. Complete the table below.

Parts of the circulatory system	functions
Veins	
Herat	
Arteries	

31. a. Name the two types of pollination in flowering plants.

- i. _____
- ii. _____

b. Write down any two agents of pollination.

- i. _____
- ii. _____

32. a. Give two types of germination.

- i. _____
- ii. _____

b. Apart from moisture, state any other condition necessary for seed germination.

33. a. Name two natural resources in the environment that enable green plants to make their food.

i. _____

ii. _____

b. What is the name of the process in (a) above?

c. What gas is given off during this process?

34. a. Which type of blood vessels return blood to the heart?

b. What is the function of valves in blood vessels during blood circulation?

c. What type of blood is carried by most blood vessels with valves?

d. Give any one waste material carried by blood.

35. a. Which organ removes urine from the body?

b. To which body system does the organ that removes urine from the body belong?

c. Where is urine collected before it is removed from the body?

36. a. Name the germ that causes HIV/AIDS.

b. Apart from having sex with an infected person, write down any other way in which one can get the germ that causes HIV/AIDS.

c. State the name of the insect that transmits malaria parasite from one person to another.

37. Which part of the body is affected by each of the following diseases?

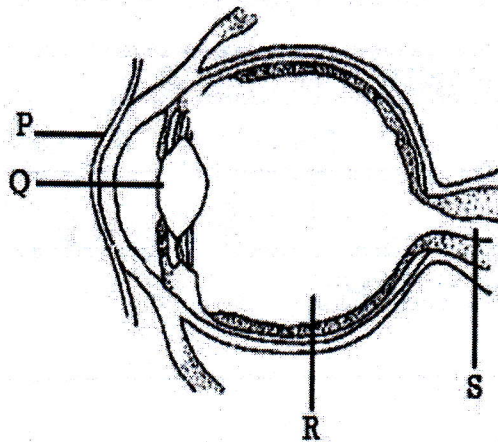
a. Bilharzia _____

b. Scabies _____

c. Trachoma _____

d. AIDS _____

31. The diagram below shows a human eye.



(a). Name the parts labelled P, Q, R and S.

P _____
Q _____
R _____
S _____

(b). What is the function (use) of part Q?

(c). Which part of the eye is sensitive to light rays and so send messages to the brain? _____